

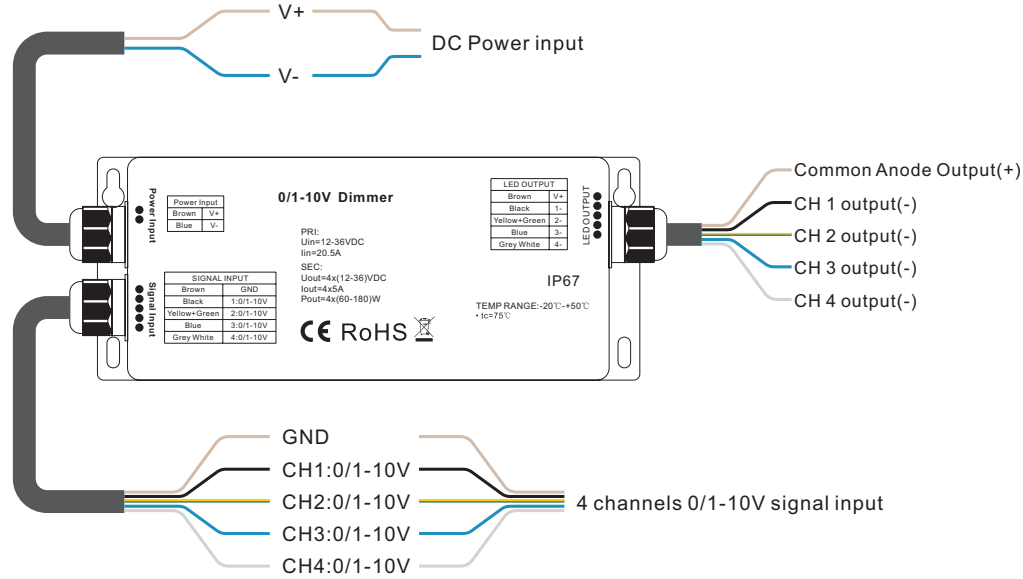
0/1-10V LED Dimmer

09.2002W.04021



Important: Read All Instructions Prior to Installation

Function introduction



Product Data

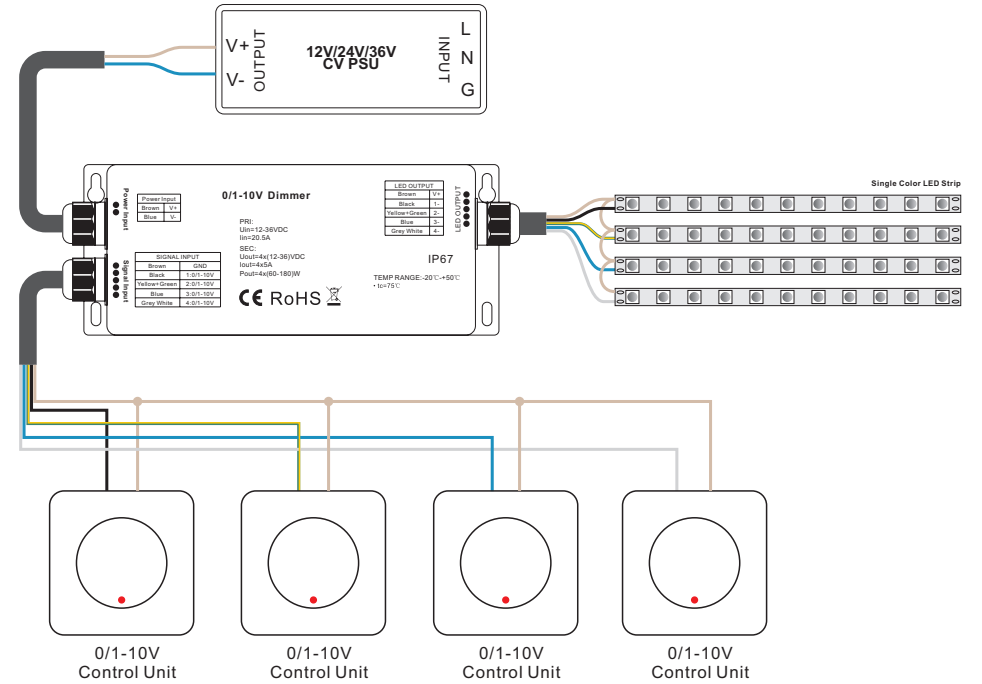
No.	Input Voltage	Output Current	Output Power	Remarks	Size(LxWxH)
1	12-36VDC	4x5A	4x(60-180)W	Constant voltage	180.5x73.6x38mm
2	12-36VDC	4x350mA	4x(4.2-12.6)W	Constant current	180.5x73.6x38mm
3	12-36VDC	4x700mA	4x(8.4-25.2)W	Constant current	180.5x73.6x38mm

- With 4 Channels 0/1-10V signal Input, 4 channels PWM Output
- Analog dim driver, receive standard 0/1-10V dim signal input
- 0-100% dimming range via logarithmic characteristic , perfect for human's vision
- 256 levels of Grey scales, smoothly without any flash
- To work with power repeater to expand output unlimitedly.
- Can coordinate with 0/1-10V regulator or 0/1-10V dimmer to do analog dimming ,smooth dimming curve, be in direct proportion to voltage curve of regular.
- Waterproof grade: IP67

Safety & Warnings

- DO NOT install with power applied to device.
- This device is IP67 rating and protected against damp environment.

Wiring Diagram



Product Dimension

